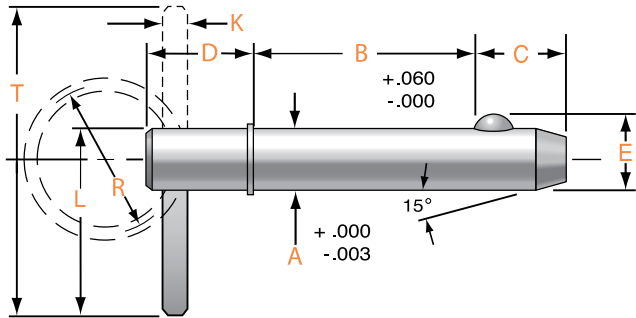


Model D Faspin®

Standard sizes and configurations.



Ring Handle T Handle L Handle

DIAMETER	GRIP OR EFFECTIVE LENGTH	C	D	E	K	L, T	R	FASPIN P/N ZINC PLATED 1144 STEEL	FASPIN P/N 303 STAIN-LESS STEEL
3/16	0.3	0.200	0.687	0.204	3/32	1	1.00	D3-03R	D3-03R-303
3/16	0.4	0.200	0.687	0.204	3/32	1	1.00	D3-04R	D3-04R-303
3/16	0.5	0.200	0.687	0.204	3/32	1	1.00	D3-05R	D3-05R-303
3/16	0.6	0.200	0.687	0.204	3/32	1	1.00	D3-06R	D3-06R-303
3/16	0.7	0.200	0.687	0.204	3/32	1	1.00	D3-07R	D3-07R-303
3/16	0.8	0.200	0.687	0.204	3/32	1	1.00	D3-08R	D3-08R-303
3/16	0.9	0.200	0.687	0.204	3/32	1	1.00	D3-09R	D3-09R-303
3/16	1.0	0.200	0.687	0.204	3/32	1	1.00	D3-10R	D3-10R-303
3/16	1.1	0.200	0.687	0.204	3/32	1	1.00	D3-11R	D3-11R-303
3/16	1.2	0.200	0.687	0.204	3/32	1	1.00	D3-12R	D3-12R-303
3/16	1.3	0.200	0.687	0.204	3/32	1	1.00	D3-13R	D3-13R-303
3/16	1.4	0.200	0.687	0.204	3/32	1	1.00	D3-14R	D3-14R-303
3/16	1.5	0.200	0.687	0.204	3/32	1	1.00	D3-15R	D3-15R-303
3/16	1.6	0.200	0.687	0.204	3/32	1	1.00	D3-16R	D3-16R-303
3/16	1.7	0.200	0.687	0.204	3/32	1	1.00	D3-17R	D3-17R-303
3/16	1.8	0.200	0.687	0.204	3/32	1	1.00	D3-18R	D3-18R-303
3/16	1.9	0.200	0.687	0.204	3/32	1	1.00	D3-19R	D3-19R-303
3/16	2.0	0.200	0.687	0.204	3/32	1	1.00	D3-20R	D3-20R-303
3/16	2.1	0.200	0.687	0.204	3/32	1	1.00	D3-21R	D3-21R-303
3/16	2.2	0.200	0.687	0.204	3/32	1	1.00	D3-22R	D3-22R-303
3/16	2.3	0.200	0.687	0.204	3/32	1	1.00	D3-23R	D3-23R-303
3/16	2.4	0.200	0.687	0.204	3/32	1	1.00	D3-24R	D3-24R-303
3/16	2.5	0.200	0.687	0.204	3/32	1	1.00	D3-25R	D3-25R-303
3/16	2.6	0.200	0.687	0.204	3/32	1	1.00	D3-26R	D3-26R-303
3/16	2.7	0.200	0.687	0.204	3/32	1	1.00	D3-27R	D3-27R-303
3/16	2.8	0.200	0.687	0.204	3/32	1	1.00	D3-28R	D3-28R-303
3/16	2.9	0.200	0.687	0.204	3/32	1	1.00	D3-29R	D3-29R-303
3/16	3.0	0.200	0.687	0.204	3/32	1	1.00	D3-30R	D3-30R-303
3/16	3.1	0.200	0.687	0.204	3/32	1	1.00	D3-31R	D3-31R-303
3/16	3.2	0.200	0.687	0.204	3/32	1	1.00	D3-32R	D3-32R-303

R is for Ring Handle
Use T for T Handle, L for L Handle

Model D Faspin®

DIAMETER	GRIP OR EFFECTIVE LENGTH	C	D	E	K	L, T	R	FASPIN P/N ZINC PLATED 1144 STEEL	FASPIN P/N 303 STAINLESS STEEL
3/16	3.3	0.200	0.687	0.204	3/32	1	1.00	D3-33R	D3-33R-303
3/16	3.4	0.200	0.687	0.204	3/32	1	1.00	D3-34R	D3-34R-303
3/16	3.5	0.200	0.687	0.204	3/32	1	1.00	D3-35R	D3-35R-303
3/16	3.6	0.200	0.687	0.204	3/32	1	1.00	D3-36R	D3-36R-303
3/16	3.7	0.200	0.687	0.204	3/32	1	1.00	D3-37R	D3-37R-303
3/16	3.8	0.200	0.687	0.204	3/32	1	1.00	D3-38R	D3-38R-303
3/16	3.9	0.200	0.687	0.204	3/32	1	1.00	D3-39R	D3-39R-303
3/16	4.0	0.200	0.687	0.204	3/32	1	1.00	D3-40R	D3-40R-303
1/4	0.3	0.312	0.720	0.286	1/8	1-1/4	1.00	D4-03R	D4-03R-303
1/4	0.4	0.312	0.720	0.286	1/8	1-1/4	1.00	D4-04R	D4-04R-303
1/4	0.5	0.312	0.720	0.286	1/8	1-1/4	1.00	D4-05R	D4-05R-303
1/4	0.6	0.312	0.720	0.286	1/8	1-1/4	1.00	D4-06R	D4-06R-303
1/4	0.7	0.312	0.720	0.286	1/8	1-1/4	1.00	D4-07R	D4-07R-303
1/4	0.8	0.312	0.720	0.286	1/8	1-1/4	1.00	D4-08R	D4-08R-303
1/4	0.9	0.312	0.720	0.286	1/8	1-1/4	1.00	D4-09R	D4-09R-303
1/4	1.0	0.312	0.720	0.286	1/8	1-1/4	1.00	D4-10R	D4-10R-303
1/4	1.1	0.312	0.720	0.286	1/8	1-1/4	1.00	D4-11R	D4-11R-303
1/4	1.2	0.312	0.720	0.286	1/8	1-1/4	1.00	D4-12R	D4-12R-303
1/4	1.3	0.312	0.720	0.286	1/8	1-1/4	1.00	D4-13R	D4-13R-303
1/4	1.4	0.312	0.720	0.286	1/8	1-1/4	1.00	D4-14R	D4-14R-303
1/4	1.5	0.312	0.720	0.286	1/8	1-1/4	1.00	D4-15R	D4-15R-303
1/4	1.6	0.312	0.720	0.286	1/8	1-1/4	1.00	D4-16R	D4-16R-303
1/4	1.7	0.312	0.720	0.286	1/8	1-1/4	1.00	D4-17R	D4-17R-303
1/4	1.8	0.312	0.720	0.286	1/8	1-1/4	1.00	D4-18R	D4-18R-303
1/4	1.9	0.312	0.720	0.286	1/8	1-1/4	1.00	D4-19R	D4-19R-303
1/4	2.0	0.312	0.720	0.286	1/8	1-1/4	1.00	D4-20R	D4-20R-303
1/4	2.1	0.312	0.720	0.286	1/8	1-1/4	1.00	D4-21R	D4-21R-303
1/4	2.2	0.312	0.720	0.286	1/8	1-1/4	1.00	D4-22R	D4-22R-303
1/4	2.3	0.312	0.720	0.286	1/8	1-1/4	1.00	D4-23R	D4-23R-303
1/4	2.4	0.312	0.720	0.286	1/8	1-1/4	1.00	D4-24R	D4-24R-303
1/4	2.5	0.312	0.720	0.286	1/8	1-1/4	1.00	D4-25R	D4-25R-303
1/4	2.6	0.312	0.720	0.286	1/8	1-1/4	1.00	D4-26R	D4-26R-303
1/4	2.7	0.312	0.720	0.286	1/8	1-1/4	1.00	D4-27R	D4-27R-303
1/4	2.8	0.312	0.720	0.286	1/8	1-1/4	1.00	D4-28R	D4-28R-303
1/4	2.9	0.312	0.720	0.286	1/8	1-1/4	1.00	D4-29R	D4-29R-303
1/4	3.0	0.312	0.720	0.286	1/8	1-1/4	1.00	D4-30R	D4-30R-303
1/4	3.1	0.312	0.720	0.286	1/8	1-1/4	1.00	D4-31R	D4-31R-303
1/4	3.2	0.312	0.720	0.286	1/8	1-1/4	1.00	D4-32R	D4-32R-303
1/4	3.3	0.312	0.720	0.286	1/8	1-1/4	1.00	D4-33R	D4-33R-303
1/4	3.4	0.312	0.720	0.286	1/8	1-1/4	1.00	D4-34R	D4-34R-303
1/4	3.5	0.312	0.720	0.286	1/8	1-1/4	1.00	D4-35R	D4-35R-303
1/4	3.6	0.312	0.720	0.286	1/8	1-1/4	1.00	D4-36R	D4-36R-303
1/4	3.7	0.312	0.720	0.286	1/8	1-1/4	1.00	D4-37R	D4-37R-303
1/4	3.8	0.312	0.720	0.286	1/8	1-1/4	1.00	D4-38R	D4-38R-303
1/4	3.9	0.312	0.720	0.286	1/8	1-1/4	1.00	D4-39R	D4-39R-303
1/4	4.0	0.312	0.720	0.286	1/8	1-1/4	1.00	D4-40R	D4-40R-303

R is for Ring Handle
Use T for T Handle, L for L Handle

Model D Faspin®

DIAMETER	GRIP OR EFFECTIVE LENGTH	C	D	E	K	L, T	R	FASPIN P/N ZINC PLATED 1144 STEEL	FASPIN P/N 303 STAIN-LESS STEEL
5/16	0.5	0.375	0.750	0.358	5/32	1-1/4	1.00	D5-05R	D5-05R-303
5/16	0.6	0.375	0.750	0.358	5/32	1-1/4	1.00	D5-06R	D5-06R-303
5/16	0.7	0.375	0.750	0.358	5/32	1-1/4	1.00	D5-07R	D5-07R-303
5/16	0.8	0.375	0.750	0.358	5/32	1-1/4	1.00	D5-08R	D5-08R-303
5/16	0.9	0.375	0.750	0.358	5/32	1-1/4	1.00	D5-09R	D5-09R-303
5/16	1.0	0.375	0.750	0.358	5/32	1-1/4	1.00	D5-10R	D5-10R-303
5/16	1.1	0.375	0.750	0.358	5/32	1-1/4	1.00	D5-11R	D5-11R-303
5/16	1.2	0.375	0.750	0.358	5/32	1-1/4	1.00	D5-12R	D5-12R-303
5/16	1.3	0.375	0.750	0.358	5/32	1-1/4	1.00	D5-13R	D5-13R-303
5/16	1.4	0.375	0.750	0.358	5/32	1-1/4	1.00	D5-14R	D5-14R-303
5/16	1.5	0.375	0.750	0.358	5/32	1-1/4	1.00	D5-15R	D5-15R-303
5/16	1.6	0.375	0.750	0.358	5/32	1-1/4	1.00	D5-16R	D5-16R-303
5/16	1.7	0.375	0.750	0.358	5/32	1-1/4	1.00	D5-17R	D5-17R-303
5/16	1.8	0.375	0.750	0.358	5/32	1-1/4	1.00	D5-18R	D5-18R-303
5/16	1.9	0.375	0.750	0.358	5/32	1-1/4	1.00	D5-19R	D5-19R-303
5/16	2.0	0.375	0.750	0.358	5/32	1-1/4	1.00	D5-20R	D5-20R-303
5/16	2.1	0.375	0.750	0.358	5/32	1-1/4	1.00	D5-21R	D5-21R-303
5/16	2.2	0.375	0.750	0.358	5/32	1-1/4	1.00	D5-22R	D5-22R-303
5/16	2.3	0.375	0.750	0.358	5/32	1-1/4	1.00	D5-23R	D5-23R-303
5/16	2.4	0.375	0.750	0.358	5/32	1-1/4	1.00	D5-24R	D5-24R-303
5/16	2.5	0.375	0.750	0.358	5/32	1-1/4	1.00	D5-25R	D5-25R-303
5/16	2.6	0.375	0.750	0.358	5/32	1-1/4	1.00	D5-26R	D5-26R-303
5/16	2.7	0.375	0.750	0.358	5/32	1-1/4	1.00	D5-27R	D5-27R-303
5/16	2.8	0.375	0.750	0.358	5/32	1-1/4	1.00	D5-28R	D5-28R-303
5/16	2.9	0.375	0.750	0.358	5/32	1-1/4	1.00	D5-29R	D5-29R-303
5/16	3.0	0.375	0.750	0.358	5/32	1-1/4	1.00	D5-30R	D5-30R-303
5/16	3.1	0.375	0.750	0.358	5/32	1-1/4	1.00	D5-31R	D5-31R-303
5/16	3.2	0.375	0.750	0.358	5/32	1-1/4	1.00	D5-32R	D5-32R-303
5/16	3.3	0.375	0.750	0.358	5/32	1-1/4	1.00	D5-33R	D5-33R-303
5/16	3.4	0.375	0.750	0.358	5/32	1-1/4	1.00	D5-34R	D5-34R-303
5/16	3.5	0.375	0.750	0.358	5/32	1-1/4	1.00	D5-35R	D5-35R-303
5/16	3.6	0.375	0.750	0.358	5/32	1-1/4	1.00	D5-36R	D5-36R-303
5/16	3.7	0.375	0.750	0.358	5/32	1-1/4	1.00	D5-37R	D5-37R-303
5/16	3.8	0.375	0.750	0.358	5/32	1-1/4	1.00	D5-38R	D5-38R-303
5/16	3.9	0.375	0.750	0.358	5/32	1-1/4	1.00	D5-39R	D5-39R-303
5/16	4.0	0.375	0.750	0.358	5/32	1-1/4	1.00	D5-40R	D5-40R-303
5/16	4.1	0.375	0.750	0.358	5/32	1-1/4	1.00	D5-41R	D5-41R-303
5/16	4.2	0.375	0.750	0.358	5/32	1-1/4	1.00	D5-42R	D5-42R-303
5/16	4.3	0.375	0.750	0.358	5/32	1-1/4	1.00	D5-43R	D5-43R-303
5/16	4.4	0.375	0.750	0.358	5/32	1-1/4	1.00	D5-44R	D5-44R-303
5/16	4.5	0.375	0.750	0.358	5/32	1-1/4	1.00	D5-45R	D5-45R-303
5/16	4.6	0.375	0.750	0.358	5/32	1-1/4	1.00	D5-46R	D5-46R-303
5/16	4.7	0.375	0.750	0.358	5/32	1-1/4	1.00	D5-47R	D5-47R-303
5/16	4.8	0.375	0.750	0.358	5/32	1-1/4	1.00	D5-48R	D5-48R-303
5/16	4.9	0.375	0.750	0.358	5/32	1-1/4	1.00	D5-49R	D5-49R-303

R is for Ring Handle
Use T for T Handle, L for L Handle

Model D Faspin®

DIAMETER	GRIP OR EFFECTIVE LENGTH	C	D	E	K	L, T	R	FASPIN P/N ZINC PLATED 1144 STEEL	FASPIN P/N 303 STAIN-LESS STEEL
5/16	5.0	0.375	0.750	0.358	5/32	1-1/4	1.00	D5-50R	D5-50R-303
3/8	0.5	0.500	0.750	0.426	5/32	1-3/4	1.00	D6-05R	D6-05R-303
3/8	0.6	0.500	0.750	0.426	5/32	1-3/4	1.00	D6-06R	D6-06R-303
3/8	0.7	0.500	0.750	0.426	5/32	1-3/4	1.00	D6-07R	D6-07R-303
3/8	0.8	0.500	0.750	0.426	5/32	1-3/4	1.00	D6-08R	D6-08R-303
3/8	0.9	0.500	0.750	0.426	5/32	1-3/4	1.00	D6-09R	D6-09R-303
3/8	1.0	0.500	0.750	0.426	5/32	1-3/4	1.00	D6-10R	D6-10R-303
3/8	1.1	0.500	0.750	0.426	5/32	1-3/4	1.00	D6-11R	D6-11R-303
3/8	1.2	0.500	0.750	0.426	5/32	1-3/4	1.00	D6-12R	D6-12R-303
3/8	1.3	0.500	0.750	0.426	5/32	1-3/4	1.00	D6-13R	D6-13R-303
3/8	1.4	0.500	0.750	0.426	5/32	1-3/4	1.00	D6-14R	D6-14R-303
3/8	1.5	0.500	0.750	0.426	5/32	1-3/4	1.00	D6-15R	D6-15R-303
3/8	1.6	0.500	0.750	0.426	5/32	1-3/4	1.00	D6-16R	D6-16R-303
3/8	1.7	0.500	0.750	0.426	5/32	1-3/4	1.00	D6-17R	D6-17R-303
3/8	1.8	0.500	0.750	0.426	5/32	1-3/4	1.00	D6-18R	D6-18R-303
3/8	1.9	0.500	0.750	0.426	5/32	1-3/4	1.00	D6-19R	D6-19R-303
3/8	2.0	0.500	0.750	0.426	5/32	1-3/4	1.00	D6-20R	D6-20R-303
3/8	2.1	0.500	0.750	0.426	5/32	1-3/4	1.00	D6-21R	D6-21R-303
3/8	2.2	0.500	0.750	0.426	5/32	1-3/4	1.00	D6-22R	D6-22R-303
3/8	2.3	0.500	0.750	0.426	5/32	1-3/4	1.00	D6-23R	D6-23R-303
3/8	2.4	0.500	0.750	0.426	5/32	1-3/4	1.00	D6-24R	D6-24R-303
3/8	2.5	0.500	0.750	0.426	5/32	1-3/4	1.00	D6-25R	D6-25R-303
3/8	2.6	0.500	0.750	0.426	5/32	1-3/4	1.00	D6-26R	D6-26R-303
3/8	2.7	0.500	0.750	0.426	5/32	1-3/4	1.00	D6-27R	D6-27R-303
3/8	2.8	0.500	0.750	0.426	5/32	1-3/4	1.00	D6-28R	D6-28R-303
3/8	2.9	0.500	0.750	0.426	5/32	1-3/4	1.00	D6-29R	D6-29R-303
3/8	3.0	0.500	0.750	0.426	5/32	1-3/4	1.00	D6-30R	D6-30R-303
3/8	3.1	0.500	0.750	0.426	5/32	1-3/4	1.00	D6-31R	D6-31R-303
3/8	3.2	0.500	0.750	0.426	5/32	1-3/4	1.00	D6-32R	D6-32R-303
3/8	3.3	0.500	0.750	0.426	5/32	1-3/4	1.00	D6-33R	D6-33R-303
3/8	3.4	0.500	0.750	0.426	5/32	1-3/4	1.00	D6-34R	D6-34R-303
3/8	3.5	0.500	0.750	0.426	5/32	1-3/4	1.00	D6-35R	D6-35R-303
3/8	3.6	0.500	0.750	0.426	5/32	1-3/4	1.00	D6-36R	D6-36R-303
3/8	3.7	0.500	0.750	0.426	5/32	1-3/4	1.00	D6-37R	D6-37R-303
3/8	3.8	0.500	0.750	0.426	5/32	1-3/4	1.00	D6-38R	D6-38R-303
3/8	3.9	0.500	0.750	0.426	5/32	1-3/4	1.00	D6-39R	D6-39R-303
3/8	4.0	0.500	0.750	0.426	5/32	1-3/4	1.00	D6-40R	D6-40R-303
3/8	4.1	0.500	0.750	0.426	5/32	1-3/4	1.00	D6-41R	D6-41R-303
3/8	4.2	0.500	0.750	0.426	5/32	1-3/4	1.00	D6-42R	D6-42R-303
3/8	4.3	0.500	0.750	0.426	5/32	1-3/4	1.00	D6-43R	D6-43R-303
3/8	4.4	0.500	0.750	0.426	5/32	1-3/4	1.00	D6-44R	D6-44R-303
3/8	4.5	0.500	0.750	0.426	5/32	1-3/4	1.00	D6-45R	D6-45R-303
3/8	4.6	0.500	0.750	0.426	5/32	1-3/4	1.00	D6-46R	D6-46R-303
3/8	4.7	0.500	0.750	0.426	5/32	1-3/4	1.00	D6-47R	D6-47R-303
3/8	4.8	0.500	0.750	0.426	5/32	1-3/4	1.00	D6-48R	D6-48R-303

R is for Ring Handle
Use T for T Handle, L for L Handle

Model D Faspin®

DIAMETER	GRIP OR EFFECTIVE LENGTH	C	D	E	K	L, T	R	FASPIN P/N ZINC PLATED 1144 STEEL	FASPIN P/N 303 STAIN-LESS STEEL
3/8	4.9	0.500	0.750	0.426	5/32	1-3/4	1.00	D6-49R	D6-49R-303
3/8	5.0	0.500	0.750	0.426	5/32	1-3/4	1.00	D6-50R	D6-50R-303
3/8	5.1	0.500	0.750	0.426	5/32	1-3/4	1.00	D6-51R	D6-51R-303
3/8	5.2	0.500	0.750	0.426	5/32	1-3/4	1.00	D6-52R	D6-52R-303
3/8	5.3	0.500	0.750	0.426	5/32	1-3/4	1.00	D6-53R	D6-53R-303
3/8	5.4	0.500	0.750	0.426	5/32	1-3/4	1.00	D6-54R	D6-54R-303
3/8	5.5	0.500	0.750	0.426	5/32	1-3/4	1.00	D6-55R	D6-55R-303
3/8	5.6	0.500	0.750	0.426	5/32	1-3/4	1.00	D6-56R	D6-56R-303
3/8	5.7	0.500	0.750	0.426	5/32	1-3/4	1.00	D6-57R	D6-57R-303
3/8	5.8	0.500	0.750	0.426	5/32	1-3/4	1.00	D6-58R	D6-58R-303
3/8	5.9	0.500	0.750	0.426	5/32	1-3/4	1.00	D6-59R	D6-59R-303
3/8	6.0	0.500	0.750	0.426	5/32	1-3/4	1.00	D6-60R	D6-60R-303
7/16	0.5	0.562	0.950	0.496	5/32	1-3/4	1.00	D7-05R	D7-05R-303
7/16	0.6	0.562	0.950	0.496	5/32	1-3/4	1.00	D7-06R	D7-06R-303
7/16	0.7	0.562	0.950	0.496	5/32	1-3/4	1.00	D7-07R	D7-07R-303
7/16	0.8	0.562	0.950	0.496	5/32	1-3/4	1.00	D7-08R	D7-08R-303
7/16	0.9	0.562	0.950	0.496	5/32	1-3/4	1.00	D7-09R	D7-09R-303
7/16	1.0	0.562	0.950	0.496	5/32	1-3/4	1.00	D7-10R	D7-10R-303
7/16	1.1	0.562	0.950	0.496	5/32	1-3/4	1.00	D7-11R	D7-11R-303
7/16	1.2	0.562	0.950	0.496	5/32	1-3/4	1.00	D7-12R	D7-12R-303
7/16	1.3	0.562	0.950	0.496	5/32	1-3/4	1.00	D7-13R	D7-13R-303
7/16	1.4	0.562	0.950	0.496	5/32	1-3/4	1.00	D7-14R	D7-14R-303
7/16	1.5	0.562	0.950	0.496	5/32	1-3/4	1.00	D7-15R	D7-15R-303
7/16	1.6	0.562	0.950	0.496	5/32	1-3/4	1.00	D7-16R	D7-16R-303
7/16	1.7	0.562	0.950	0.496	5/32	1-3/4	1.00	D7-17R	D7-17R-303
7/16	1.8	0.562	0.950	0.496	5/32	1-3/4	1.00	D7-18R	D7-18R-303
7/16	1.9	0.562	0.950	0.496	5/32	1-3/4	1.00	D7-19R	D7-19R-303
7/16	2.0	0.562	0.950	0.496	5/32	1-3/4	1.00	D7-20R	D7-20R-303
7/16	2.1	0.562	0.950	0.496	5/32	1-3/4	1.00	D7-21R	D7-21R-303
7/16	2.2	0.562	0.950	0.496	5/32	1-3/4	1.00	D7-22R	D7-22R-303
7/16	2.3	0.562	0.950	0.496	5/32	1-3/4	1.00	D7-23R	D7-23R-303
7/16	2.4	0.562	0.950	0.496	5/32	1-3/4	1.00	D7-24R	D7-24R-303
7/16	2.5	0.562	0.950	0.496	5/32	1-3/4	1.00	D7-25R	D7-25R-303
7/16	2.6	0.562	0.950	0.496	5/32	1-3/4	1.00	D7-26R	D7-26R-303
7/16	2.7	0.562	0.950	0.496	5/32	1-3/4	1.00	D7-27R	D7-27R-303
7/16	2.8	0.562	0.950	0.496	5/32	1-3/4	1.00	D7-28R	D7-28R-303
7/16	2.9	0.562	0.950	0.496	5/32	1-3/4	1.00	D7-29R	D7-29R-303
7/16	3.0	0.562	0.950	0.496	5/32	1-3/4	1.00	D7-30R	D7-30R-303
7/16	3.1	0.562	0.950	0.496	5/32	1-3/4	1.00	D7-31R	D7-31R-303
7/16	3.2	0.562	0.950	0.496	5/32	1-3/4	1.00	D7-32R	D7-32R-303
7/16	3.3	0.562	0.950	0.496	5/32	1-3/4	1.00	D7-33R	D7-33R-303
7/16	3.4	0.562	0.950	0.496	5/32	1-3/4	1.00	D7-34R	D7-34R-303
7/16	3.5	0.562	0.950	0.496	5/32	1-3/4	1.00	D7-35R	D7-35R-303
7/16	3.6	0.562	0.950	0.496	5/32	1-3/4	1.00	D7-36R	D7-36R-303
7/16	3.7	0.562	0.950	0.496	5/32	1-3/4	1.00	D7-37R	D7-37R-303

R is for Ring Handle
Use T for T Handle, L for L Handle

Model D Faspin®

DIAMETER	GRIP OR EFFECTIVE LENGTH	C	D	E	K	L, T	R	FASPIN P/N ZINC PLATED 1144 STEEL	FASPIN P/N 303 STAINLESS STEEL
7/16	3.8	0.562	0.950	0.496	5/32	1-3/4	1.00	D7-38R	D7-38R-303
7/16	3.9	0.562	0.950	0.496	5/32	1-3/4	1.00	D7-39R	D7-39R-303
7/16	4.0	0.562	0.950	0.496	5/32	1-3/4	1.00	D7-40R	D7-40R-303
7/16	4.1	0.562	0.950	0.496	5/32	1-3/4	1.00	D7-41R	D7-41R-303
7/16	4.2	0.562	0.950	0.496	5/32	1-3/4	1.00	D7-42R	D7-42R-303
7/16	4.3	0.562	0.950	0.496	5/32	1-3/4	1.00	D7-43R	D7-43R-303
7/16	4.4	0.562	0.950	0.496	5/32	1-3/4	1.00	D7-44R	D7-44R-303
7/16	4.5	0.562	0.950	0.496	5/32	1-3/4	1.00	D7-45R	D7-45R-303
7/16	4.6	0.562	0.950	0.496	5/32	1-3/4	1.00	D7-46R	D7-46R-303
7/16	4.7	0.562	0.950	0.496	5/32	1-3/4	1.00	D7-47R	D7-47R-303
7/16	4.8	0.562	0.950	0.496	5/32	1-3/4	1.00	D7-48R	D7-48R-303
7/16	4.9	0.562	0.950	0.496	5/32	1-3/4	1.00	D7-49R	D7-49R-303
7/16	5.0	0.562	0.950	0.496	5/32	1-3/4	1.00	D7-50R	D7-50R-303
7/16	5.1	0.562	0.950	0.496	5/32	1-3/4	1.00	D7-51R	D7-51R-303
7/16	5.2	0.562	0.950	0.496	5/32	1-3/4	1.00	D7-52R	D7-52R-303
7/16	5.3	0.562	0.950	0.496	5/32	1-3/4	1.00	D7-53R	D7-53R-303
7/16	5.4	0.562	0.950	0.496	5/32	1-3/4	1.00	D7-54R	D7-54R-303
7/16	5.5	0.562	0.950	0.496	5/32	1-3/4	1.00	D7-55R	D7-55R-303
7/16	5.6	0.562	0.950	0.496	5/32	1-3/4	1.00	D7-56R	D7-56R-303
7/16	5.7	0.562	0.950	0.496	5/32	1-3/4	1.00	D7-57R	D7-57R-303
7/16	5.8	0.562	0.950	0.496	5/32	1-3/4	1.00	D7-58R	D7-58R-303
7/16	5.9	0.562	0.950	0.496	5/32	1-3/4	1.00	D7-59R	D7-59R-303
7/16	6.0	0.562	0.950	0.496	5/32	1-3/4	1.00	D7-60R	D7-60R-303
1/2	0.5	0.625	1.012	0.570	3/16	2	1.25	D8-05R	D8-05R-303
1/2	0.6	0.625	1.012	0.570	3/16	2	1.25	D8-06R	D8-06R-303
1/2	0.7	0.625	1.012	0.570	3/16	2	1.25	D8-07R	D8-07R-303
1/2	0.8	0.625	1.012	0.570	3/16	2	1.25	D8-08R	D8-08R-303
1/2	0.9	0.625	1.012	0.570	3/16	2	1.25	D8-09R	D8-09R-303
1/2	1.0	0.625	1.012	0.570	3/16	2	1.25	D8-10R	D8-10R-303
1/2	1.1	0.625	1.012	0.570	3/16	2	1.25	D8-11R	D8-11R-303
1/2	1.2	0.625	1.012	0.570	3/16	2	1.25	D8-12R	D8-12R-303
1/2	1.3	0.625	1.012	0.570	3/16	2	1.25	D8-13R	D8-13R-303
1/2	1.4	0.625	1.012	0.570	3/16	2	1.25	D8-14R	D8-14R-303
1/2	1.5	0.625	1.012	0.570	3/16	2	1.25	D8-15R	D8-15R-303
1/2	1.6	0.625	1.012	0.570	3/16	2	1.25	D8-16R	D8-16R-303
1/2	1.7	0.625	1.012	0.570	3/16	2	1.25	D8-17R	D8-17R-303
1/2	1.8	0.625	1.012	0.570	3/16	2	1.25	D8-18R	D8-18R-303
1/2	1.9	0.625	1.012	0.570	3/16	2	1.25	D8-19R	D8-19R-303
1/2	2.0	0.625	1.012	0.570	3/16	2	1.25	D8-20R	D8-20R-303
1/2	2.1	0.625	1.012	0.570	3/16	2	1.25	D8-21R	D8-21R-303
1/2	2.2	0.625	1.012	0.570	3/16	2	1.25	D8-22R	D8-22R-303
1/2	2.3	0.625	1.012	0.570	3/16	2	1.25	D8-23R	D8-23R-303
1/2	2.4	0.625	1.012	0.570	3/16	2	1.25	D8-24R	D8-24R-303
1/2	2.5	0.625	1.012	0.570	3/16	2	1.25	D8-25R	D8-25R-303
1/2	2.6	0.625	1.012	0.570	3/16	2	1.25	D8-26R	D8-26R-303

R is for Ring Handle
Use T for T Handle, L for L Handle

Model D Faspin®

DIAMETER	GRIP OR EFFECTIVE LENGTH	C	D	E	K	L, T	R	FASPIN P/N ZINC PLATED 1144 STEEL	FASPIN P/N 303 STAIN-LESS STEEL
1/2	2.7	0.625	1.012	0.570	3/16	2	1.25	D8-27R	D8-27R-303
1/2	2.8	0.625	1.012	0.570	3/16	2	1.25	D8-28R	D8-28R-303
1/2	2.9	0.625	1.012	0.570	3/16	2	1.25	D8-29R	D8-29R-303
1/2	3.0	0.625	1.012	0.570	3/16	2	1.25	D8-30R	D8-30R-303
1/2	3.1	0.625	1.012	0.570	3/16	2	1.25	D8-31R	D8-31R-303
1/2	3.2	0.625	1.012	0.570	3/16	2	1.25	D8-32R	D8-32R-303
1/2	3.3	0.625	1.012	0.570	3/16	2	1.25	D8-33R	D8-33R-303
1/2	3.4	0.625	1.012	0.570	3/16	2	1.25	D8-34R	D8-34R-303
1/2	3.5	0.625	1.012	0.570	3/16	2	1.25	D8-35R	D8-35R-303
1/2	3.6	0.625	1.012	0.570	3/16	2	1.25	D8-36R	D8-36R-303
1/2	3.7	0.625	1.012	0.570	3/16	2	1.25	D8-37R	D8-37R-303
1/2	3.8	0.625	1.012	0.570	3/16	2	1.25	D8-38R	D8-38R-303
1/2	3.9	0.625	1.012	0.570	3/16	2	1.25	D8-39R	D8-39R-303
1/2	4.0	0.625	1.012	0.570	3/16	2	1.25	D8-40R	D8-40R-303
1/2	4.1	0.625	1.012	0.570	3/16	2	1.25	D8-41R	D8-41R-303
1/2	4.2	0.625	1.012	0.570	3/16	2	1.25	D8-42R	D8-42R-303
1/2	4.3	0.625	1.012	0.570	3/16	2	1.25	D8-43R	D8-43R-303
1/2	4.4	0.625	1.012	0.570	3/16	2	1.25	D8-44R	D8-44R-303
1/2	4.5	0.625	1.012	0.570	3/16	2	1.25	D8-45R	D8-45R-303
1/2	4.6	0.625	1.012	0.570	3/16	2	1.25	D8-46R	D8-46R-303
1/2	4.7	0.625	1.012	0.570	3/16	2	1.25	D8-47R	D8-47R-303
1/2	4.8	0.625	1.012	0.570	3/16	2	1.25	D8-48R	D8-48R-303
1/2	4.9	0.625	1.012	0.570	3/16	2	1.25	D8-49R	D8-49R-303
1/2	5.0	0.625	1.012	0.570	3/16	2	1.25	D8-50R	D8-50R-303
1/2	5.1	0.625	1.012	0.570	3/16	2	1.25	D8-51R	D8-51R-303
1/2	5.2	0.625	1.012	0.570	3/16	2	1.25	D8-52R	D8-52R-303
1/2	5.3	0.625	1.012	0.570	3/16	2	1.25	D8-53R	D8-53R-303
1/2	5.4	0.625	1.012	0.570	3/16	2	1.25	D8-54R	D8-54R-303
1/2	5.5	0.625	1.012	0.570	3/16	2	1.25	D8-55R	D8-55R-303
1/2	5.6	0.625	1.012	0.570	3/16	2	1.25	D8-56R	D8-56R-303
1/2	5.7	0.625	1.012	0.570	3/16	2	1.25	D8-57R	D8-57R-303
1/2	5.8	0.625	1.012	0.570	3/16	2	1.25	D8-58R	D8-58R-303
1/2	5.9	0.625	1.012	0.570	3/16	2	1.25	D8-59R	D8-59R-303
1/2	6.0	0.625	1.012	0.570	3/16	2	1.25	D8-60R	D8-60R-303
1/2	6.1	0.625	1.012	0.570	3/16	2	1.25	D8-61R	D8-61R-303
1/2	6.2	0.625	1.012	0.570	3/16	2	1.25	D8-62R	D8-62R-303
1/2	6.3	0.625	1.012	0.570	3/16	2	1.25	D8-63R	D8-63R-303
1/2	6.4	0.625	1.012	0.570	3/16	2	1.25	D8-64R	D8-64R-303
1/2	6.5	0.625	1.012	0.570	3/16	2	1.25	D8-65R	D8-65R-303
1/2	6.6	0.625	1.012	0.570	3/16	2	1.25	D8-66R	D8-66R-303
1/2	6.7	0.625	1.012	0.570	3/16	2	1.25	D8-67R	D8-67R-303
1/2	6.8	0.625	1.012	0.570	3/16	2	1.25	D8-68R	D8-68R-303
1/2	6.9	0.625	1.012	0.570	3/16	2	1.25	D8-69R	D8-69R-303
1/2	7.0	0.625	1.012	0.570	3/16	2	1.25	D8-70R	D8-70R-303
9/16	1.0	0.687	1.012	0.642	3/16	2	1.25	D9-10R	D9-10R-303

R is for Ring Handle
Use T for T Handle, L for L Handle

Model D Faspin®

DIAMETER	GRIP OR EFFECTIVE LENGTH	C	D	E	K	L, T	R	FASPIN P/N ZINC PLATED 1144 STEEL	FASPIN P/N 303 STAIN-LESS STEEL
9/16	1.1	0.687	1.012	0.642	3/16	2	1.25	D9-11R	D9-11R-303
9/16	1.2	0.687	1.012	0.642	3/16	2	1.25	D9-12R	D9-12R-303
9/16	1.3	0.687	1.012	0.642	3/16	2	1.25	D9-13R	D9-13R-303
9/16	1.4	0.687	1.012	0.642	3/16	2	1.25	D9-14R	D9-14R-303
9/16	1.5	0.687	1.012	0.642	3/16	2	1.25	D9-15R	D9-15R-303
9/16	1.6	0.687	1.012	0.642	3/16	2	1.25	D9-16R	D9-16R-303
9/16	1.7	0.687	1.012	0.642	3/16	2	1.25	D9-17R	D9-17R-303
9/16	1.8	0.687	1.012	0.642	3/16	2	1.25	D9-18R	D9-18R-303
9/16	1.9	0.687	1.012	0.642	3/16	2	1.25	D9-19R	D9-19R-303
9/16	2.0	0.687	1.012	0.642	3/16	2	1.25	D9-20R	D9-20R-303
9/16	2.1	0.687	1.012	0.642	3/16	2	1.25	D9-21R	D9-21R-303
9/16	2.2	0.687	1.012	0.642	3/16	2	1.25	D9-22R	D9-22R-303
9/16	2.3	0.687	1.012	0.642	3/16	2	1.25	D9-23R	D9-23R-303
9/16	2.4	0.687	1.012	0.642	3/16	2	1.25	D9-24R	D9-24R-303
9/16	2.5	0.687	1.012	0.642	3/16	2	1.25	D9-25R	D9-25R-303
9/16	2.6	0.687	1.012	0.642	3/16	2	1.25	D9-26R	D9-26R-303
9/16	2.7	0.687	1.012	0.642	3/16	2	1.25	D9-27R	D9-27R-303
9/16	2.8	0.687	1.012	0.642	3/16	2	1.25	D9-28R	D9-28R-303
9/16	2.9	0.687	1.012	0.642	3/16	2	1.25	D9-29R	D9-29R-303
9/16	3.0	0.687	1.012	0.642	3/16	2	1.25	D9-30R	D9-30R-303
9/16	3.1	0.687	1.012	0.642	3/16	2	1.25	D9-31R	D9-31R-303
9/16	3.2	0.687	1.012	0.642	3/16	2	1.25	D9-32R	D9-32R-303
9/16	3.3	0.687	1.012	0.642	3/16	2	1.25	D9-33R	D9-33R-303
9/16	3.4	0.687	1.012	0.642	3/16	2	1.25	D9-34R	D9-34R-303
9/16	3.5	0.687	1.012	0.642	3/16	2	1.25	D9-35R	D9-35R-303
9/16	3.6	0.687	1.012	0.642	3/16	2	1.25	D9-36R	D9-36R-303
9/16	3.7	0.687	1.012	0.642	3/16	2	1.25	D9-37R	D9-37R-303
9/16	3.8	0.687	1.012	0.642	3/16	2	1.25	D9-38R	D9-38R-303
9/16	3.9	0.687	1.012	0.642	3/16	2	1.25	D9-39R	D9-39R-303
9/16	4.0	0.687	1.012	0.642	3/16	2	1.25	D9-40R	D9-40R-303
9/16	4.1	0.687	1.012	0.642	3/16	2	1.25	D9-41R	D9-41R-303
9/16	4.2	0.687	1.012	0.642	3/16	2	1.25	D9-42R	D9-42R-303
9/16	4.3	0.687	1.012	0.642	3/16	2	1.25	D9-43R	D9-43R-303
9/16	4.4	0.687	1.012	0.642	3/16	2	1.25	D9-44R	D9-44R-303
9/16	4.5	0.687	1.012	0.642	3/16	2	1.25	D9-45R	D9-45R-303
9/16	4.6	0.687	1.012	0.642	3/16	2	1.25	D9-46R	D9-46R-303
9/16	4.7	0.687	1.012	0.642	3/16	2	1.25	D9-47R	D9-47R-303
9/16	4.8	0.687	1.012	0.642	3/16	2	1.25	D9-48R	D9-48R-303
9/16	4.9	0.687	1.012	0.642	3/16	2	1.25	D9-49R	D9-49R-303
9/16	5.0	0.687	1.012	0.642	3/16	2	1.25	D9-50R	D9-50R-303
9/16	5.1	0.687	1.012	0.642	3/16	2	1.25	D9-51R	D9-51R-303
9/16	5.2	0.687	1.012	0.642	3/16	2	1.25	D9-52R	D9-52R-303
9/16	5.3	0.687	1.012	0.642	3/16	2	1.25	D9-53R	D9-53R-303
9/16	5.4	0.687	1.012	0.642	3/16	2	1.25	D9-54R	D9-54R-303
9/16	5.5	0.687	1.012	0.642	3/16	2	1.25	D9-55R	D9-55R-303

R is for Ring Handle
Use T for T Handle, L for L Handle

Model D Faspin®

DIAMETER	GRIP OR EFFECTIVE LENGTH	C	D	E	K	L, T	R	FASPIN P/N ZINC PLATED 1144 STEEL	FASPIN P/N 303 STAIN-LESS STEEL
9/16	5.6	0.687	1.012	0.642	3/16	2	1.25	D9-56R	D9-56R-303
9/16	5.7	0.687	1.012	0.642	3/16	2	1.25	D9-57R	D9-57R-303
9/16	5.8	0.687	1.012	0.642	3/16	2	1.25	D9-58R	D9-58R-303
9/16	5.9	0.687	1.012	0.642	3/16	2	1.25	D9-59R	D9-59R-303
9/16	6.0	0.687	1.012	0.642	3/16	2	1.25	D9-60R	D9-60R-303
9/16	6.1	0.687	1.012	0.642	3/16	2	1.25	D9-61R	D9-61R-303
9/16	6.2	0.687	1.012	0.642	3/16	2	1.25	D9-62R	D9-62R-303
9/16	6.3	0.687	1.012	0.642	3/16	2	1.25	D9-63R	D9-63R-303
9/16	6.4	0.687	1.012	0.642	3/16	2	1.25	D9-64R	D9-64R-303
9/16	6.5	0.687	1.012	0.642	3/16	2	1.25	D9-65R	D9-65R-303
9/16	6.6	0.687	1.012	0.642	3/16	2	1.25	D9-66R	D9-66R-303
9/16	6.7	0.687	1.012	0.642	3/16	2	1.25	D9-67R	D9-67R-303
9/16	6.8	0.687	1.012	0.642	3/16	2	1.25	D9-68R	D9-68R-303
9/16	6.9	0.687	1.012	0.642	3/16	2	1.25	D9-69R	D9-69R-303
9/16	7.0	0.687	1.012	0.642	3/16	2	1.25	D9-70R	D9-70R-303
5/8	1.0	0.750	1.075	.710	1/4	2-1/4	1.25	D10-10R	D10-10R-303
5/8	1.1	0.750	1.075	.710	1/4	2-1/4	1.25	D10-11R	D10-11R-303
5/8	1.2	0.750	1.075	.710	1/4	2-1/4	1.25	D10-12R	D10-12R-303
5/8	1.3	0.750	1.075	.710	1/4	2-1/4	1.25	D10-13R	D10-13R-303
5/8	1.4	0.750	1.075	.710	1/4	2-1/4	1.25	D10-14R	D10-14R-303
5/8	1.5	0.750	1.075	.710	1/4	2-1/4	1.25	D10-15R	D10-15R-303
5/8	1.6	0.750	1.075	.710	1/4	2-1/4	1.25	D10-16R	D10-16R-303
5/8	1.7	0.750	1.075	.710	1/4	2-1/4	1.25	D10-17R	D10-17R-303
5/8	1.8	0.750	1.075	.710	1/4	2-1/4	1.25	D10-18R	D10-18R-303
5/8	1.9	0.750	1.075	.710	1/4	2-1/4	1.25	D10-19R	D10-19R-303
5/8	2.0	0.750	1.075	.710	1/4	2-1/4	1.25	D10-20R	D10-20R-303
5/8	2.1	0.750	1.075	.710	1/4	2-1/4	1.25	D10-21R	D10-21R-303
5/8	2.2	0.750	1.075	.710	1/4	2-1/4	1.25	D10-22R	D10-22R-303
5/8	2.3	0.750	1.075	.710	1/4	2-1/4	1.25	D10-23R	D10-23R-303
5/8	2.4	0.750	1.075	.710	1/4	2-1/4	1.25	D10-24R	D10-24R-303
5/8	2.5	0.750	1.075	.710	1/4	2-1/4	1.25	D10-25R	D10-25R-303
5/8	2.6	0.750	1.075	.710	1/4	2-1/4	1.25	D10-26R	D10-26R-303
5/8	2.7	0.750	1.075	.710	1/4	2-1/4	1.25	D10-27R	D10-27R-303
5/8	2.8	0.750	1.075	.710	1/4	2-1/4	1.25	D10-28R	D10-28R-303
5/8	2.9	0.750	1.075	.710	1/4	2-1/4	1.25	D10-29R	D10-29R-303
5/8	3.0	0.750	1.075	.710	1/4	2-1/4	1.25	D10-30R	D10-30R-303
5/8	3.1	0.750	1.075	.710	1/4	2-1/4	1.25	D10-31R	D10-31R-303
5/8	3.2	0.750	1.075	.710	1/4	2-1/4	1.25	D10-32R	D10-32R-303
5/8	3.3	0.750	1.075	.710	1/4	2-1/4	1.25	D10-33R	D10-33R-303
5/8	3.4	0.750	1.075	.710	1/4	2-1/4	1.25	D10-34R	D10-34R-303
5/8	3.5	0.750	1.075	.710	1/4	2-1/4	1.25	D10-35R	D10-35R-303
5/8	3.6	0.750	1.075	.710	1/4	2-1/4	1.25	D10-36R	D10-36R-303
5/8	3.7	0.750	1.075	.710	1/4	2-1/4	1.25	D10-37R	D10-37R-303

R is for Ring Handle
Use T for T Handle, L for L Handle

Model D Faspin®

DIAMETER	GRIP OR EFFECTIVE LENGTH	C	D	E	K	L, T	R	FASPIN P/N ZINC PLATED 1144 STEEL	FASPIN P/N 303 STAIN-LESS STEEL
5/8	3.8	0.750	1.075	.710	1/4	2-1/4	1.25	D10-38R	D10-38R-303
5/8	3.9	0.750	1.075	.710	1/4	2-1/4	1.25	D10-39R	D10-39R-303
5/8	4.0	0.750	1.075	.710	1/4	2-1/4	1.25	D10-40R	D10-40R-303
5/8	4.1	0.750	1.075	.710	1/4	2-1/4	1.25	D10-41R	D10-41R-303
5/8	4.2	0.750	1.075	.710	1/4	2-1/4	1.25	D10-42R	D10-42R-303
5/8	4.3	0.750	1.075	.710	1/4	2-1/4	1.25	D10-43R	D10-43R-303
5/8	4.4	0.750	1.075	.710	1/4	2-1/4	1.25	D10-44R	D10-44R-303
5/8	4.5	0.750	1.075	.710	1/4	2-1/4	1.25	D10-45R	D10-45R-303
5/8	4.6	0.750	1.075	.710	1/4	2-1/4	1.25	D10-46R	D10-46R-303
5/8	4.7	0.750	1.075	.710	1/4	2-1/4	1.25	D10-47R	D10-47R-303
5/8	4.8	0.750	1.075	.710	1/4	2-1/4	1.25	D10-48R	D10-48R-303
5/8	4.9	0.750	1.075	.710	1/4	2-1/4	1.25	D10-49R	D10-49R-303
5/8	5.0	0.750	1.075	.710	1/4	2-1/4	1.25	D10-50R	D10-50R-303
5/8	5.1	0.750	1.075	.710	1/4	2-1/4	1.25	D10-51R	D10-51R-303
5/8	5.2	0.750	1.075	.710	1/4	2-1/4	1.25	D10-52R	D10-52R-303
5/8	5.3	0.750	1.075	.710	1/4	2-1/4	1.25	D10-53R	D10-53R-303
5/8	5.4	0.750	1.075	.710	1/4	2-1/4	1.25	D10-54R	D10-54R-303
5/8	5.5	0.750	1.075	.710	1/4	2-1/4	1.25	D10-55R	D10-55R-303
5/8	5.6	0.750	1.075	.710	1/4	2-1/4	1.25	D10-56R	D10-56R-303
5/8	5.7	0.750	1.075	.710	1/4	2-1/4	1.25	D10-57R	D10-57R-303
5/8	5.8	0.750	1.075	.710	1/4	2-1/4	1.25	D10-58R	D10-58R-303
5/8	5.9	0.750	1.075	.710	1/4	2-1/4	1.25	D10-59R	D10-59R-303
5/8	6.0	0.750	1.075	.710	1/4	2-1/4	1.25	D10-60R	D10-60R-303
5/8	6.1	0.750	1.075	.710	1/4	2-1/4	1.25	D10-61R	D10-61R-303
5/8	6.2	0.750	1.075	.710	1/4	2-1/4	1.25	D10-62R	D10-62R-303
5/8	6.3	0.750	1.075	.710	1/4	2-1/4	1.25	D10-63R	D10-63R-303
5/8	6.4	0.750	1.075	.710	1/4	2-1/4	1.25	D10-64R	D10-64R-303
5/8	6.5	0.750	1.075	.710	1/4	2-1/4	1.25	D10-65R	D10-65R-303
5/8	6.6	0.750	1.075	.710	1/4	2-1/4	1.25	D10-66R	D10-66R-303
5/8	6.7	0.750	1.075	.710	1/4	2-1/4	1.25	D10-67R	D10-67R-303
5/8	6.8	0.750	1.075	.710	1/4	2-1/4	1.25	D10-68R	D10-68R-303
5/8	6.9	0.750	1.075	.710	1/4	2-1/4	1.25	D10-69R	D10-69R-303
5/8	7.0	0.750	1.075	.710	1/4	2-1/4	1.25	D10-70R	D10-70R-303
5/8	7.1	0.750	1.075	.710	1/4	2-1/4	1.25	D10-71R	D10-71R-303
5/8	7.2	0.750	1.075	.710	1/4	2-1/4	1.25	D10-72R	D10-72R-303
5/8	7.3	0.750	1.075	.710	1/4	2-1/4	1.25	D10-73R	D10-73R-303
5/8	7.4	0.750	1.075	.710	1/4	2-1/4	1.25	D10-74R	D10-74R-303
5/8	7.5	0.750	1.075	.710	1/4	2-1/4	1.25	D10-75R	D10-75R-303
5/8	7.6	0.750	1.075	.710	1/4	2-1/4	1.25	D10-76R	D10-76R-303
5/8	7.7	0.750	1.075	.710	1/4	2-1/4	1.25	D10-77R	D10-77R-303
5/8	7.8	0.750	1.075	.710	1/4	2-1/4	1.25	D10-78R	D10-78R-303
5/8	7.9	0.750	1.075	.710	1/4	2-1/4	1.25	D10-79R	D10-79R-303
5/8	8.0	0.750	1.075	.710	1/4	2-1/4	1.25	D10-80R	D10-80R-303
3/4	1.0	0.937	1.375	0.856	1/4	2-1/4	1.5	D12-10R	D12-10R-303
3/4	1.1	0.937	1.375	0.856	1/4	2-1/4	1.5	D12-11R	D12-11R-303
3/4	1.2	0.937	1.375	0.856	1/4	2-1/4	1.5	D12-12R	D12-12R-303

R is for Ring Handle
Use T for T Handle, L for L Handle

Model D Faspin®

DIAMETER	GRIP OR EFFECTIVE LENGTH	C	D	E	K	L, T	R	FASPIN P/N ZINC PLATED 1144 STEEL	FASPIN P/N 303 STAIN-LESS STEEL
3/4	1.3	0.937	1.375	0.856	1/4	2-1/4	1.5	D12-13R	D12-13R-303
3/4	1.4	0.937	1.375	0.856	1/4	2-1/4	1.5	D12-14R	D12-14R-303
3/4	1.5	0.937	1.375	0.856	1/4	2-1/4	1.5	D12-15R	D12-15R-303
3/4	1.6	0.937	1.375	0.856	1/4	2-1/4	1.5	D12-16R	D12-16R-303
3/4	1.7	0.937	1.375	0.856	1/4	2-1/4	1.5	D12-17R	D12-17R-303
3/4	1.8	0.937	1.375	0.856	1/4	2-1/4	1.5	D12-18R	D12-18R-303
3/4	1.9	0.937	1.375	0.856	1/4	2-1/4	1.5	D12-19R	D12-19R-303
3/4	2.0	0.937	1.375	0.856	1/4	2-1/4	1.5	D12-20R	D12-20R-303
3/4	2.1	0.937	1.375	0.856	1/4	2-1/4	1.5	D12-21R	D12-21R-303
3/4	2.2	0.937	1.375	0.856	1/4	2-1/4	1.5	D12-22R	D12-22R-303
3/4	2.3	0.937	1.375	0.856	1/4	2-1/4	1.5	D12-23R	D12-23R-303
3/4	2.4	0.937	1.375	0.856	1/4	2-1/4	1.5	D12-24R	D12-24R-303
3/4	2.5	0.937	1.375	0.856	1/4	2-1/4	1.5	D12-25R	D12-25R-303
3/4	2.6	0.937	1.375	0.856	1/4	2-1/4	1.5	D12-26R	D12-26R-303
3/4	2.7	0.937	1.375	0.856	1/4	2-1/4	1.5	D12-27R	D12-27R-303
3/4	2.8	0.937	1.375	0.856	1/4	2-1/4	1.5	D12-28R	D12-28R-303
3/4	2.9	0.937	1.375	0.856	1/4	2-1/4	1.5	D12-29R	D12-29R-303
3/4	3.0	0.937	1.375	0.856	1/4	2-1/4	1.5	D12-30R	D12-30R-303
3/4	3.1	0.937	1.375	0.856	1/4	2-1/4	1.5	D12-31R	D12-31R-303
3/4	3.2	0.937	1.375	0.856	1/4	2-1/4	1.5	D12-32R	D12-32R-303
3/4	3.3	0.937	1.375	0.856	1/4	2-1/4	1.5	D12-33R	D12-33R-303
3/4	3.4	0.937	1.375	0.856	1/4	2-1/4	1.5	D12-34R	D12-34R-303
3/4	3.5	0.937	1.375	0.856	1/4	2-1/4	1.5	D12-35R	D12-35R-303
3/4	3.6	0.937	1.375	0.856	1/4	2-1/4	1.5	D12-36R	D12-36R-303
3/4	3.7	0.937	1.375	0.856	1/4	2-1/4	1.5	D12-37R	D12-37R-303
3/4	3.8	0.937	1.375	0.856	1/4	2-1/4	1.5	D12-38R	D12-38R-303
3/4	3.9	0.937	1.375	0.856	1/4	2-1/4	1.5	D12-39R	D12-39R-303
3/4	4.0	0.937	1.375	0.856	1/4	2-1/4	1.5	D12-40R	D12-40R-303
3/4	4.1	0.937	1.375	0.856	1/4	2-1/4	1.5	D12-41R	D12-41R-303
3/4	4.2	0.937	1.375	0.856	1/4	2-1/4	1.5	D12-42R	D12-42R-303
3/4	4.3	0.937	1.375	0.856	1/4	2-1/4	1.5	D12-43R	D12-43R-303
3/4	4.4	0.937	1.375	0.856	1/4	2-1/4	1.5	D12-44R	D12-44R-303
3/4	4.5	0.937	1.375	0.856	1/4	2-1/4	1.5	D12-45R	D12-45R-303
3/4	4.6	0.937	1.375	0.856	1/4	2-1/4	1.5	D12-46R	D12-46R-303
3/4	4.7	0.937	1.375	0.856	1/4	2-1/4	1.5	D12-47R	D12-47R-303
3/4	4.8	0.937	1.375	0.856	1/4	2-1/4	1.5	D12-48R	D12-48R-303
3/4	4.9	0.937	1.375	0.856	1/4	2-1/4	1.5	D12-49R	D12-49R-303
3/4	5.0	0.937	1.375	0.856	1/4	2-1/4	1.5	D12-50R	D12-50R-303
3/4	5.1	0.937	1.375	0.856	1/4	2-1/4	1.5	D12-51R	D12-51R-303
3/4	5.2	0.937	1.375	0.856	1/4	2-1/4	1.5	D12-52R	D12-52R-303
3/4	5.3	0.937	1.375	0.856	1/4	2-1/4	1.5	D12-53R	D12-53R-303
3/4	5.4	0.937	1.375	0.856	1/4	2-1/4	1.5	D12-54R	D12-54R-303
3/4	5.5	0.937	1.375	0.856	1/4	2-1/4	1.5	D12-55R	D12-55R-303
3/4	5.6	0.937	1.375	0.856	1/4	2-1/4	1.5	D12-56R	D12-56R-303
3/4	5.7	0.937	1.375	0.856	1/4	2-1/4	1.5	D12-57R	D12-57R-303

R is for Ring Handle
Use T for T Handle, L for L Handle

Model D Faspin®

DIAMETER	GRIP OR EFFECTIVE LENGTH	C	D	E	K	L, T	R	FASPIN P/N ZINC PLATED 1144 STEEL	FASPIN P/N 303 STAIN-LESS STEEL
3/4	5.8	0.937	1.375	0.856	1/4	2-1/4	1.5	D12-58R	D12-58R-303
3/4	5.9	0.937	1.375	0.856	1/4	2-1/4	1.5	D12-59R	D12-59R-303
3/4	6.0	0.937	1.375	0.856	1/4	2-1/4	1.5	D12-60R	D12-60R-303
3/4	6.1	0.937	1.375	0.856	1/4	2-1/4	1.5	D12-61R	D12-61R-303
3/4	6.2	0.937	1.375	0.856	1/4	2-1/4	1.5	D12-62R	D12-62R-303
3/4	6.3	0.937	1.375	0.856	1/4	2-1/4	1.5	D12-63R	D12-63R-303
3/4	6.4	0.937	1.375	0.856	1/4	2-1/4	1.5	D12-64R	D12-64R-303
3/4	6.5	0.937	1.375	0.856	1/4	2-1/4	1.5	D12-65R	D12-65R-303
3/4	6.6	0.937	1.375	0.856	1/4	2-1/4	1.5	D12-66R	D12-66R-303
3/4	6.7	0.937	1.375	0.856	1/4	2-1/4	1.5	D12-67R	D12-67R-303
3/4	6.8	0.937	1.375	0.856	1/4	2-1/4	1.5	D12-68R	D12-68R-303
3/4	6.9	0.937	1.375	0.856	1/4	2-1/4	1.5	D12-69R	D12-69R-303
3/4	7.0	0.937	1.375	0.856	1/4	2-1/4	1.5	D12-70R	D12-70R-303
3/4	7.1	0.937	1.375	0.856	1/4	2-1/4	1.5	D12-71R	D12-71R-303
3/4	7.2	0.937	1.375	0.856	1/4	2-1/4	1.5	D12-72R	D12-72R-303
3/4	7.3	0.937	1.375	0.856	1/4	2-1/4	1.5	D12-73R	D12-73R-303
3/4	7.4	0.937	1.375	0.856	1/4	2-1/4	1.5	D12-74R	D12-74R-303
3/4	7.5	0.937	1.375	0.856	1/4	2-1/4	1.5	D12-75R	D12-75R-303
3/4	7.6	0.937	1.375	0.856	1/4	2-1/4	1.5	D12-76R	D12-76R-303
3/4	7.7	0.937	1.375	0.856	1/4	2-1/4	1.5	D12-77R	D12-77R-303
3/4	7.8	0.937	1.375	0.856	1/4	2-1/4	1.5	D12-78R	D12-78R-303
3/4	7.9	0.937	1.375	0.856	1/4	2-1/4	1.5	D12-79R	D12-79R-303
3/4	8.0	0.937	1.375	0.856	1/4	2-1/4	1.5	D12-80R	D12-80R-303
7/8	1.0	1.000	1.500	0.996	3/8	2-1/2	1.50	D14-10R	D14-10R-303
7/8	1.1	1.000	1.500	0.996	3/8	2-1/2	1.50	D14-11R	D14-11R-303
7/8	1.2	1.000	1.500	0.996	3/8	2-1/2	1.50	D14-12R	D14-12R-303
7/8	1.3	1.000	1.500	0.996	3/8	2-1/2	1.50	D14-13R	D14-13R-303
7/8	1.4	1.000	1.500	0.996	3/8	2-1/2	1.50	D14-14R	D14-14R-303
7/8	1.5	1.000	1.500	0.996	3/8	2-1/2	1.50	D14-15R	D14-15R-303
7/8	1.6	1.000	1.500	0.996	3/8	2-1/2	1.50	D14-16R	D14-16R-303
7/8	1.7	1.000	1.500	0.996	3/8	2-1/2	1.50	D14-17R	D14-17R-303
7/8	1.8	1.000	1.500	0.996	3/8	2-1/2	1.50	D14-18R	D14-18R-303
7/8	1.9	1.000	1.500	0.996	3/8	2-1/2	1.50	D14-19R	D14-19R-303
7/8	2.0	1.000	1.500	0.996	3/8	2-1/2	1.50	D14-20R	D14-20R-303
7/8	2.1	1.000	1.500	0.996	3/8	2-1/2	1.50	D14-21R	D14-21R-303
7/8	2.2	1.000	1.500	0.996	3/8	2-1/2	1.50	D14-22R	D14-22R-303
7/8	2.3	1.000	1.500	0.996	3/8	2-1/2	1.50	D14-23R	D14-23R-303
7/8	2.4	1.000	1.500	0.996	3/8	2-1/2	1.50	D14-24R	D14-24R-303
7/8	2.5	1.000	1.500	0.996	3/8	2-1/2	1.50	D14-25R	D14-25R-303
7/8	2.6	1.000	1.500	0.996	3/8	2-1/2	1.50	D14-26R	D14-26R-303
7/8	2.7	1.000	1.500	0.996	3/8	2-1/2	1.50	D14-27R	D14-27R-303
7/8	2.8	1.000	1.500	0.996	3/8	2-1/2	1.50	D14-28R	D14-28R-303
7/8	2.9	1.000	1.500	0.996	3/8	2-1/2	1.50	D14-29R	D14-29R-303
7/8	3.0	1.000	1.500	0.996	3/8	2-1/2	1.50	D14-30R	D14-30R-303
7/8	3.1	1.000	1.500	0.996	3/8	2-1/2	1.50	D14-31R	D14-31R-303

R is for Ring Handle
Use T for T Handle, L for L Handle

Model D Faspin®

DIAMETER	GRIP OR EFFECTIVE LENGTH	C	D	E	K	L, T	R	FASPIN P/N ZINC PLATED 1144 STEEL	FASPIN P/N 303 STAIN-LESS STEEL
7/8	3.2	1.000	1.500	0.996	3/8	2-1/2	1.50	D14-32R	D14-32R-303
7/8	3.3	1.000	1.500	0.996	3/8	2-1/2	1.50	D14-33R	D14-33R-303
7/8	3.4	1.000	1.500	0.996	3/8	2-1/2	1.50	D14-34R	D14-34R-303
7/8	3.5	1.000	1.500	0.996	3/8	2-1/2	1.50	D14-35R	D14-35R-303
7/8	3.6	1.000	1.500	0.996	3/8	2-1/2	1.50	D14-36R	D14-36R-303
7/8	3.7	1.000	1.500	0.996	3/8	2-1/2	1.50	D14-37R	D14-37R-303
7/8	3.8	1.000	1.500	0.996	3/8	2-1/2	1.50	D14-38R	D14-38R-303
7/8	3.9	1.000	1.500	0.996	3/8	2-1/2	1.50	D14-39R	D14-39R-303
7/8	4.0	1.000	1.500	0.996	3/8	2-1/2	1.50	D14-40R	D14-40R-303
7/8	4.1	1.000	1.500	0.996	3/8	2-1/2	1.50	D14-41R	D14-41R-303
7/8	4.2	1.000	1.500	0.996	3/8	2-1/2	1.50	D14-42R	D14-42R-303
7/8	4.3	1.000	1.500	0.996	3/8	2-1/2	1.50	D14-43R	D14-43R-303
7/8	4.4	1.000	1.500	0.996	3/8	2-1/2	1.50	D14-44R	D14-44R-303
7/8	4.5	1.000	1.500	0.996	3/8	2-1/2	1.50	D14-45R	D14-45R-303
7/8	4.6	1.000	1.500	0.996	3/8	2-1/2	1.50	D14-46R	D14-46R-303
7/8	4.7	1.000	1.500	0.996	3/8	2-1/2	1.50	D14-47R	D14-47R-303
7/8	4.8	1.000	1.500	0.996	3/8	2-1/2	1.50	D14-48R	D14-48R-303
7/8	4.9	1.000	1.500	0.996	3/8	2-1/2	1.50	D14-49R	D14-49R-303
7/8	5.0	1.000	1.500	0.996	3/8	2-1/2	1.50	D14-50R	D14-50R-303
7/8	5.1	1.000	1.500	0.996	3/8	2-1/2	1.50	D14-51R	D14-51R-303
7/8	5.2	1.000	1.500	0.996	3/8	2-1/2	1.50	D14-52R	D14-52R-303
7/8	5.3	1.000	1.500	0.996	3/8	2-1/2	1.50	D14-53R	D14-53R-303
7/8	5.4	1.000	1.500	0.996	3/8	2-1/2	1.50	D14-54R	D14-54R-303
7/8	5.5	1.000	1.500	0.996	3/8	2-1/2	1.50	D14-55R	D14-55R-303
7/8	5.6	1.000	1.500	0.996	3/8	2-1/2	1.50	D14-56R	D14-56R-303
7/8	5.7	1.000	1.500	0.996	3/8	2-1/2	1.50	D14-57R	D14-57R-303
7/8	5.8	1.000	1.500	0.996	3/8	2-1/2	1.50	D14-58R	D14-58R-303
7/8	5.9	1.000	1.500	0.996	3/8	2-1/2	1.50	D14-59R	D14-59R-303
7/8	6.0	1.000	1.500	0.996	3/8	2-1/2	1.50	D14-60R	D14-60R-303
7/8	6.1	1.000	1.500	0.996	3/8	2-1/2	1.50	D14-61R	D14-61R-303
7/8	6.2	1.000	1.500	0.996	3/8	2-1/2	1.50	D14-62R	D14-62R-303
7/8	6.3	1.000	1.500	0.996	3/8	2-1/2	1.50	D14-63R	D14-63R-303
7/8	6.4	1.000	1.500	0.996	3/8	2-1/2	1.50	D14-64R	D14-64R-303
7/8	6.5	1.000	1.500	0.996	3/8	2-1/2	1.50	D14-65R	D14-65R-303
7/8	6.6	1.000	1.500	0.996	3/8	2-1/2	1.50	D14-66R	D14-66R-303
7/8	6.7	1.000	1.500	0.996	3/8	2-1/2	1.50	D14-67R	D14-67R-303
7/8	6.8	1.000	1.500	0.996	3/8	2-1/2	1.50	D14-68R	D14-68R-303
7/8	6.9	1.000	1.500	0.996	3/8	2-1/2	1.50	D14-69R	D14-69R-303
7/8	7.0	1.000	1.500	0.996	3/8	2-1/2	1.50	D14-70R	D14-70R-303
7/8	7.1	1.000	1.500	0.996	3/8	2-1/2	1.50	D14-71R	D14-71R-303
7/8	7.2	1.000	1.500	0.996	3/8	2-1/2	1.50	D14-72R	D14-72R-303
7/8	7.3	1.000	1.500	0.996	3/8	2-1/2	1.50	D14-73R	D14-73R-303
7/8	7.4	1.000	1.500	0.996	3/8	2-1/2	1.50	D14-74R	D14-74R-303
7/8	7.5	1.000	1.500	0.996	3/8	2-1/2	1.50	D14-75R	D14-75R-303
7/8	7.6	1.000	1.500	0.996	3/8	2-1/2	1.50	D14-76R	D14-76R-303

R is for Ring Handle
Use T for T Handle, L for L Handle

Model D Faspin®

DIAMETER	GRIP OR EFFECTIVE LENGTH	C	D	E	K	L, T	R	FASPIN P/N ZINC PLATED 1144 STEEL	FASPIN P/N 303 STAIN-LESS STEEL
7/8	7.7	1.000	1.500	0.996	3/8	2-1/2	1.50	D14-77R	D14-77R-303
7/8	7.8	1.000	1.500	0.996	3/8	2-1/2	1.50	D14-78R	D14-78R-303
7/8	7.9	1.000	1.500	0.996	3/8	2-1/2	1.50	D14-79R	D14-79R-303
7/8	8.0	1.000	1.500	0.996	3/8	2-1/2	1.50	D14-80R	D14-80R-303
1	1.0	1.250	1.500	1.140	3/8	2-1/2	1.50	D16-10R	D16-10R-303
1	1.1	1.250	1.500	1.140	3/8	2-1/2	1.50	D16-11R	D16-11R-303
1	1.2	1.250	1.500	1.140	3/8	2-1/2	1.50	D16-12R	D16-12R-303
1	1.3	1.250	1.500	1.140	3/8	2-1/2	1.50	D16-13R	D16-13R-303
1	1.4	1.250	1.500	1.140	3/8	2-1/2	1.50	D16-14R	D16-14R-303
1	1.5	1.250	1.500	1.140	3/8	2-1/2	1.50	D16-15R	D16-15R-303
1	1.6	1.250	1.500	1.140	3/8	2-1/2	1.50	D16-16R	D16-16R-303
1	1.7	1.250	1.500	1.140	3/8	2-1/2	1.50	D16-17R	D16-17R-303
1	1.8	1.250	1.500	1.140	3/8	2-1/2	1.50	D16-18R	D16-18R-303
1	1.9	1.250	1.500	1.140	3/8	2-1/2	1.50	D16-19R	D16-19R-303
1	2.0	1.250	1.500	1.140	3/8	2-1/2	1.50	D16-20R	D16-20R-303
1	2.1	1.250	1.500	1.140	3/8	2-1/2	1.50	D16-21R	D16-21R-303
1	2.2	1.250	1.500	1.140	3/8	2-1/2	1.50	D16-22R	D16-22R-303
1	2.3	1.250	1.500	1.140	3/8	2-1/2	1.50	D16-23R	D16-23R-303
1	2.4	1.250	1.500	1.140	3/8	2-1/2	1.50	D16-24R	D16-24R-303
1	2.5	1.250	1.500	1.140	3/8	2-1/2	1.50	D16-25R	D16-25R-303
1	2.6	1.250	1.500	1.140	3/8	2-1/2	1.50	D16-26R	D16-26R-303
1	2.7	1.250	1.500	1.140	3/8	2-1/2	1.50	D16-27R	D16-27R-303
1	2.8	1.250	1.500	1.140	3/8	2-1/2	1.50	D16-28R	D16-28R-303
1	2.9	1.250	1.500	1.140	3/8	2-1/2	1.50	D16-29R	D16-29R-303
1	3.0	1.250	1.500	1.140	3/8	2-1/2	1.50	D16-30R	D16-30R-303
1	3.1	1.250	1.500	1.140	3/8	2-1/2	1.50	D16-31R	D16-31R-303
1	3.2	1.250	1.500	1.140	3/8	2-1/2	1.50	D16-32R	D16-32R-303
1	3.3	1.250	1.500	1.140	3/8	2-1/2	1.50	D16-33R	D16-33R-303
1	3.4	1.250	1.500	1.140	3/8	2-1/2	1.50	D16-34R	D16-34R-303
1	3.5	1.250	1.500	1.140	3/8	2-1/2	1.50	D16-35R	D16-35R-303
1	3.6	1.250	1.500	1.140	3/8	2-1/2	1.50	D16-36R	D16-36R-303
1	3.7	1.250	1.500	1.140	3/8	2-1/2	1.50	D16-37R	D16-37R-303
1	3.8	1.250	1.500	1.140	3/8	2-1/2	1.50	D16-38R	D16-38R-303
1	3.9	1.250	1.500	1.140	3/8	2-1/2	1.50	D16-39R	D16-39R-303
1	4.0	1.250	1.500	1.140	3/8	2-1/2	1.50	D16-40R	D16-40R-303
1	4.1	1.250	1.500	1.140	3/8	2-1/2	1.50	D16-41R	D16-41R-303
1	4.2	1.250	1.500	1.140	3/8	2-1/2	1.50	D16-42R	D16-42R-303
1	4.3	1.250	1.500	1.140	3/8	2-1/2	1.50	D16-43R	D16-43R-303
1	4.4	1.250	1.500	1.140	3/8	2-1/2	1.50	D16-44R	D16-44R-303
1	4.5	1.250	1.500	1.140	3/8	2-1/2	1.50	D16-45R	D16-45R-303
1	4.6	1.250	1.500	1.140	3/8	2-1/2	1.50	D16-46R	D16-46R-303
1	4.7	1.250	1.500	1.140	3/8	2-1/2	1.50	D16-47R	D16-47R-303
1	4.8	1.250	1.500	1.140	3/8	2-1/2	1.50	D16-48R	D16-48R-303
1	4.9	1.250	1.500	1.140	3/8	2-1/2	1.50	D16-49R	D16-49R-303
1	5.0	1.250	1.500	1.140	3/8	2-1/2	1.50	D16-50R	D16-50R-303

R is for Ring Handle
Use T for T Handle, L for L Handle

Model D Faspin®

DIAMETER	GRIP OR EFFECTIVE LENGTH	C	D	E	K	L, T	R	FASPIN P/N ZINC PLATED 1144 STEEL	FASPIN P/N 303 STAINLESS STEEL
1	5.1	1.250	1.500	1.140	3/8	2-1/2	1.50	D16-51R	D16-51R-303
1	5.2	1.250	1.500	1.140	3/8	2-1/2	1.50	D16-52R	D16-52R-303
1	5.3	1.250	1.500	1.140	3/8	2-1/2	1.50	D16-53R	D16-53R-303
1	5.4	1.250	1.500	1.140	3/8	2-1/2	1.50	D16-54R	D16-54R-303
1	5.5	1.250	1.500	1.140	3/8	2-1/2	1.50	D16-55R	D16-55R-303
1	5.6	1.250	1.500	1.140	3/8	2-1/2	1.50	D16-56R	D16-56R-303
1	5.7	1.250	1.500	1.140	3/8	2-1/2	1.50	D16-57R	D16-57R-303
1	5.8	1.250	1.500	1.140	3/8	2-1/2	1.50	D16-58R	D16-58R-303
1	5.9	1.250	1.500	1.140	3/8	2-1/2	1.50	D16-59R	D16-59R-303
1	6.0	1.250	1.500	1.140	3/8	2-1/2	1.50	D16-60R	D16-60R-303
1	6.1	1.250	1.500	1.140	3/8	2-1/2	1.50	D16-61R	D16-61R-303
1	6.2	1.250	1.500	1.140	3/8	2-1/2	1.50	D16-62R	D16-62R-303
1	6.3	1.250	1.500	1.140	3/8	2-1/2	1.50	D16-63R	D16-63R-303
1	6.4	1.250	1.500	1.140	3/8	2-1/2	1.50	D16-64R	D16-64R-303
1	6.5	1.250	1.500	1.140	3/8	2-1/2	1.50	D16-65R	D16-65R-303
1	6.6	1.250	1.500	1.140	3/8	2-1/2	1.50	D16-66R	D16-66R-303
1	6.7	1.250	1.500	1.140	3/8	2-1/2	1.50	D16-67R	D16-67R-303
1	6.8	1.250	1.500	1.140	3/8	2-1/2	1.50	D16-68R	D16-68R-303
1	6.9	1.250	1.500	1.140	3/8	2-1/2	1.50	D16-69R	D16-69R-303
1	7.0	1.250	1.500	1.140	3/8	2-1/2	1.50	D16-70R	D16-70R-303
1	7.1	1.250	1.500	1.140	3/8	2-1/2	1.50	D16-71R	D16-71R-303
1	7.2	1.250	1.500	1.140	3/8	2-1/2	1.50	D16-72R	D16-72R-303
1	7.3	1.250	1.500	1.140	3/8	2-1/2	1.50	D16-73R	D16-73R-303
1	7.4	1.250	1.500	1.140	3/8	2-1/2	1.50	D16-74R	D16-74R-303
1	7.5	1.250	1.500	1.140	3/8	2-1/2	1.50	D16-75R	D16-75R-303
1	7.6	1.250	1.500	1.140	3/8	2-1/2	1.50	D16-76R	D16-76R-303
1	7.7	1.250	1.500	1.140	3/8	2-1/2	1.50	D16-77R	D16-77R-303
1	7.8	1.250	1.500	1.140	3/8	2-1/2	1.50	D16-78R	D16-78R-303
1	7.9	1.250	1.500	1.140	3/8	2-1/2	1.50	D16-79R	D16-79R-303
1	8.0	1.250	1.500	1.140	3/8	2-1/2	1.50	D16-80R	D16-80R-303

R is for Ring Handle
Use T for T Handle, L for L Handle